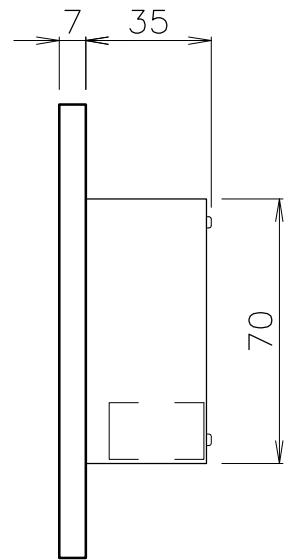
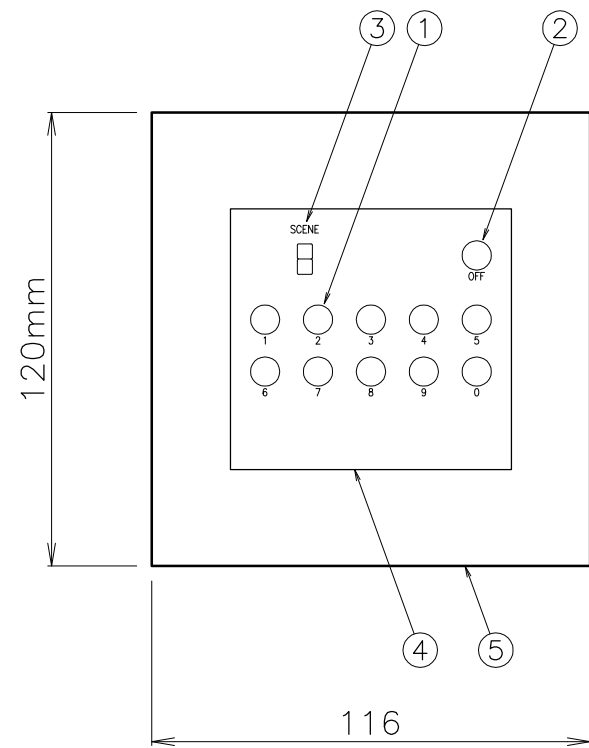
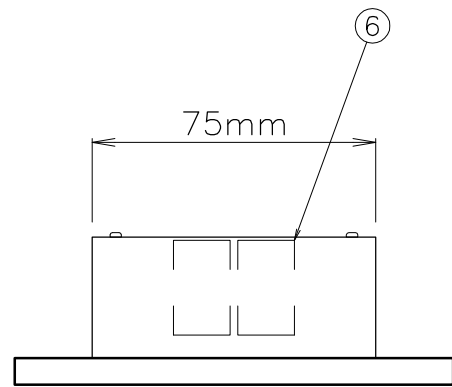


Outline Drawing



Part Descriptions

	Name	Notes
①	Scene button	10 scenes
②	Switch-off button	For turning all lights off.
③	Scene number display	Displayed through resin surface.
④	Panel	Resin white
⑤	Plate	Resin white
⑥	Signal connector	RJ45

※All LED displays are transparent through the panel.

Specifications

Input voltage	DC12V
Power consumption	2W
Output signal	Dedicated signal RJ45 terminal output (LAN)
Expansion terminal	Used for installing another Scene Selector.
Material	Panel: Resin white
	The rear BOX part: SPC t0.8
Size	W116/H120/D35
Opening size	W95×H75 (Required 70mm deep minimum.)
Mounting	Wall mounted
Weight	Approx. 0.7Kg
The number of connectable units	Up to 2 units (up to 4 units with dedicated power supply)

備考	6	7	8	9	10	11	部番	部品名	材質	数量	仕上	
							1					
							2				Scene Selector 10	
訂正							3				Part No. SC2013	
							4					
							5					
NO.	重量		Kg	縮尺		1/2	日付	13.07.30 21.09.16	製図	y.fujisawa	検図	e.motoki

Style-tec
株式会社スタイルテック