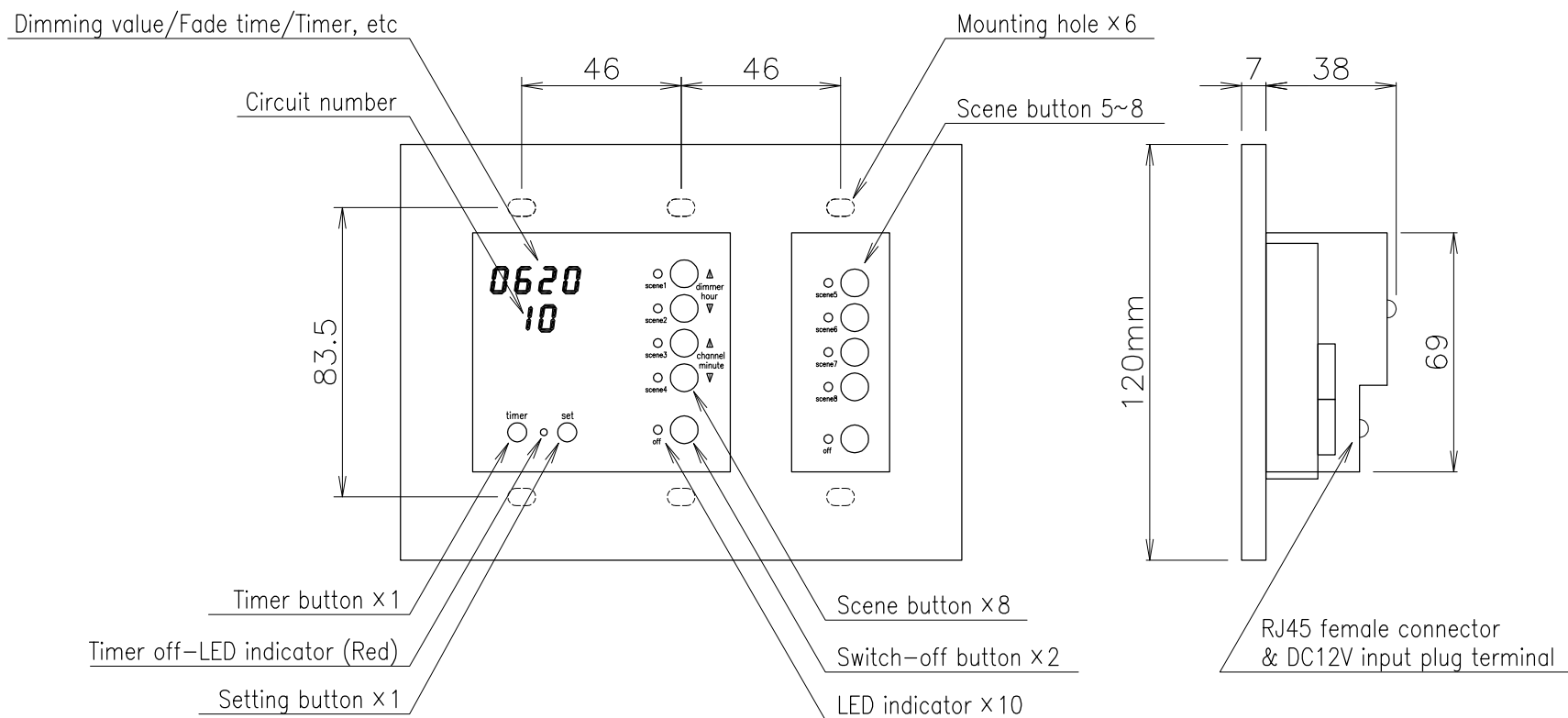
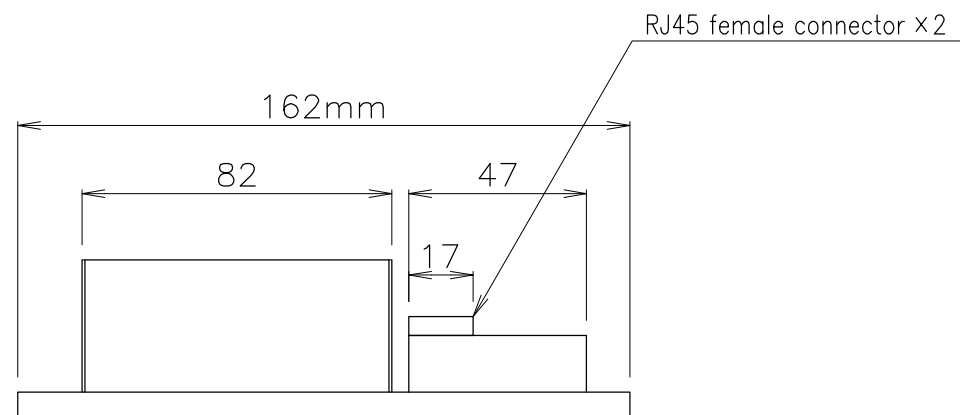
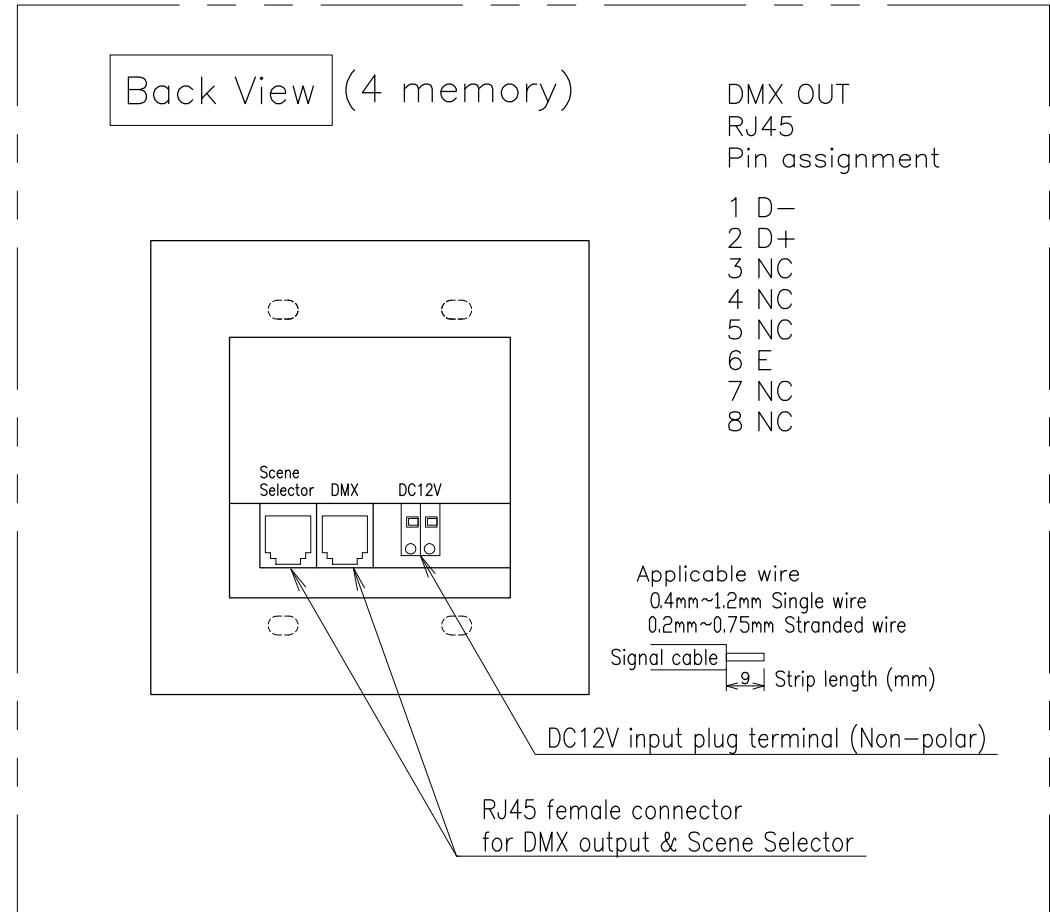


Outline Drawing



NOTE: Required 70mm deep minimum.

Back View (4 memory)



- DMX OUT  
RJ45  
Pin assignment
- 1 D-
  - 2 D+
  - 3 NC
  - 4 NC
  - 5 NC
  - 6 E
  - 7 NC
  - 8 NC

Specification

- Input voltage DC12V
- Mounting Wall mounted (fits in a 3-gang switch box.)
- Finish Panel: Resin white Plate: White
- Output signal DMX512 RJ45 terminal (LAN)
- Circuits 40 circuits
- Dimming range 0 ~ 100 %
- Storable scenes 8 scenes + OFF
- Fade time 0 ~ 99 minutes 59 seconds
- Timer settings Individual settings for 8 scenes + OFF
- Timer 24 hour timer with power failure compensation  
(NOTE: The timer has a margin of error of ±15 seconds per month.)
- Key Lock Setting & Scene button are locked during timer operation (Unlockable).

備考	6					部番	部品名	材質	数量	仕上	
	7					1					
	8					2				Light Scene Controller 40 (8 memory)	
訂正	9					3				Part No. SC2051	
	10					4					
	11					5					
NO.		重量	Kg	縮尺	1/2	日付	17.06.06 19.07.03 17.09.26 21.09.16	製図	y.fujisawa	検図	e.motoki

**Style-tec**  
株式会社スタイルテック